

Product data sheet

Specifications



controller, Modicon MCM, 8 inputs
2 outputs, monitors expansion
modules, spring

XPSMCMCP0802G

Product availability: Non-Stock - Not normally stocked in distribution facility

Price*: 590.00 USD

Main

Range Of Product	Modicon Safety automation
Product Or Component Type	Safety controller CPU
Device Short Name	XPSMCM
Electrical Connection	Spring terminal
[Us] Rated Supply Voltage	24 V - 20...20 % DC
Number Of Inputs	8 digital input connection 2 digital interlock start/restart or external device monitoring
Number Of Outputs	2 safety outputs OSSD contactor/drive connection 4 test line control outputs 2 configurable diagnostic connection
Discrete Input Voltage	24 V
Discrete Output Current	400 mA
Discrete Input Current	400 mA
Discrete Input Type	Safety input PNP
Discrete Output Type	PNP
Function Of Module	Emergency stop EN/ISO 13850 Guard monitoring EN/ISO 14119 Enabling switch monitoring EN/IEC 60947-5-1 Light curtain monitoring EN/IEC 61496-1 Foot switch monitoring EN/IEC 60947-5-1 Light curtain monitoring EN/ISO 14119 Switch monitoring EN 574 Two-hand control EN/ISO 14119 Safety mat monitoring EN 61326-1 Switch monitoring EN/IEC 61800-5-2 Muting function of light curtains EN/IEC 61800-5-2 Safety time delays Counter functions

Complementary

Synchronisation Time Between Inputs	< 0.5 ms
Power Dissipation In W	3 W
Maximum Number Of I/O Expansion Module	14 128 input 14 16 output
Integrated Connection Type	Backplane expansion bus USB 2.0 port
Data Storage Equipment	SD card optional)

Price is "List Price" and may be subject to a trade discount – check with your local distributor or retailer for actual price.

Inductive Load	30 mH
Load Capacitance	0.82 µF
Safety Level	Can reach category 4 EN/ISO 13849-1 Can reach PL = e EN/ISO 13849-1 Type 4 EN/IEC 61496-1 SILCL 3 IEC 62061
Quality Labels	CE
Local Signalling	1 LED green PWR power ON 1 LED green RUN RUN (status) 1 LED red E IN internal error 1 LED red E EX external error 1 LED orange COM communication 1 LED blue EN master enable 8 LEDs yellow IN input status 2 LEDs green/red OUT output status 2 LEDs yellow RST restart signal 2 LEDs yellow STATUS output channel
Connections - Terminals	1 spring terminals, removable terminal block 2 spring terminals, removable terminal block
Cable Cross Section	0.00...0.00 in ² (0.2...2.5 mm ²) - AWG 24...AWG 14 flexible without cable end 0.00...0.00 in ² (0.25...2.5 mm ²) - AWG 23...AWG 14 flexible with cable end, with bezel 0.00...0.00 in ² (0.2...2.5 mm ²) - AWG 24...AWG 14 solid without cable end 0.00...0.00 in ² (0.25...2.5 mm ²) - AWG 23...AWG 14 flexible with cable end, without bezel 0.00...0.00 in ² (0.25...2.5 mm ²) - AWG 23...AWG 14 solid without cable end 0.00...0.00 in ² (0.5...1 mm ²) - AWG 20...AWG 18 flexible with cable end, with double bezel
Mounting Support	Omega 35 mm DIN rail EN 50022
Depth	4.51 in (114.5 mm)
Height	3.90 in (99 mm)
Width	0.89 in (22.5 mm)
Net Weight	0.55 lb(US) (0.25 kg)

Environment

Standards	EN/ISO 13849-1 IEC 62061 EN/IEC 61800-5-1 EN/IEC 61496-1 EN/IEC 61508
Product Certifications	RCM TÜV cULus
Ip Degree Of Protection	IP20
Ambient Air Temperature For Operation	14...131 °F (-10...55 °C)
Ambient Air Temperature For Storage	-4...185 °F (-20...85 °C)
Relative Humidity	10...95 %
Pollution Degree	2
[Uimp] Rated Impulse Withstand Voltage	4 kV EN/IEC 61800-5-1
Safety Reliability Data	PFHd = 6.06E-9 1/h DC > 99 % MTTFd < 100 years high
Insulation	250 V AC between power supply and housing EN/IEC 61800-5-1
Overtoltage Category	II

Electromagnetic Compatibility	Electrostatic discharge immunity test - test level: 6 kV (on contact) conforming to EN/IEC 61000-4-2 Electrostatic discharge immunity test - test level: 20 kV (on air) conforming to EN/IEC 61000-4-2 Susceptibility to electromagnetic fields - test level: 10 V/m (80...1000 MHz) conforming to EN/IEC 61000-4-3 Susceptibility to electromagnetic fields - test level: 30 V/m (1.4 GHz...2 GHz) conforming to EN/IEC 61000-4-3
Vibration Resistance	+/-0.35 mm 10...55 Hz)EN/IEC 61496-1
Shock Resistance	10 gn 16 ms) 1000 shocks on each axis EN/IEC 61496-1
Service Life	20 year(s)

Ordering and shipping details

Category	US1SAF222477
Discount Schedule	SAF2
Gtin	3606480748554
Returnability	No
Country Of Origin	US

Packing Units

Unit Type Of Package 1	PCE
Number Of Units In Package 1	1
Package 1 Height	1.77 in (4.5 cm)
Package 1 Width	4.92 in (12.5 cm)
Package 1 Length	6.30 in (16.0 cm)
Package 1 Weight	8.61 oz (244.0 g)
Unit Type Of Package 2	S01
Number Of Units In Package 2	6
Package 2 Height	5.91 in (15.0 cm)
Package 2 Width	5.91 in (15.0 cm)
Package 2 Length	15.75 in (40.0 cm)
Package 2 Weight	3.81 lb(US) (1.728 kg)

Sustainability

Green Premium™ label is Schneider Electric's commitment to delivering products with best-in-class environmental performance. Green Premium promises compliance with the latest regulations, transparency on environmental impacts, as well as circular and low-CO₂ products.

Guide to assessing product sustainability is a white paper that clarifies global eco-label standards and how to interpret environmental declarations.

[Learn more about Green Premium >](#)

[Guide to assess a product's sustainability >](#)



Transparency RoHS/REACH

Well-being performance

Reach Free Of Svhc

Mercury Free

Rohs Exemption Information Yes

Pvc Free

Certifications & Standards

Reach Regulation

[REACH Declaration](#)

Eu Rohs Directive

Pro-active compliance (Product out of EU RoHS legal scope)

China Rohs Regulation

[China RoHS declaration](#)

Environmental Disclosure

[Product Environmental Profile](#)

Weee

The product must be disposed on European Union markets following specific waste collection and never end up in rubbish bins.

Circularity Profile

[End of Life Information](#)

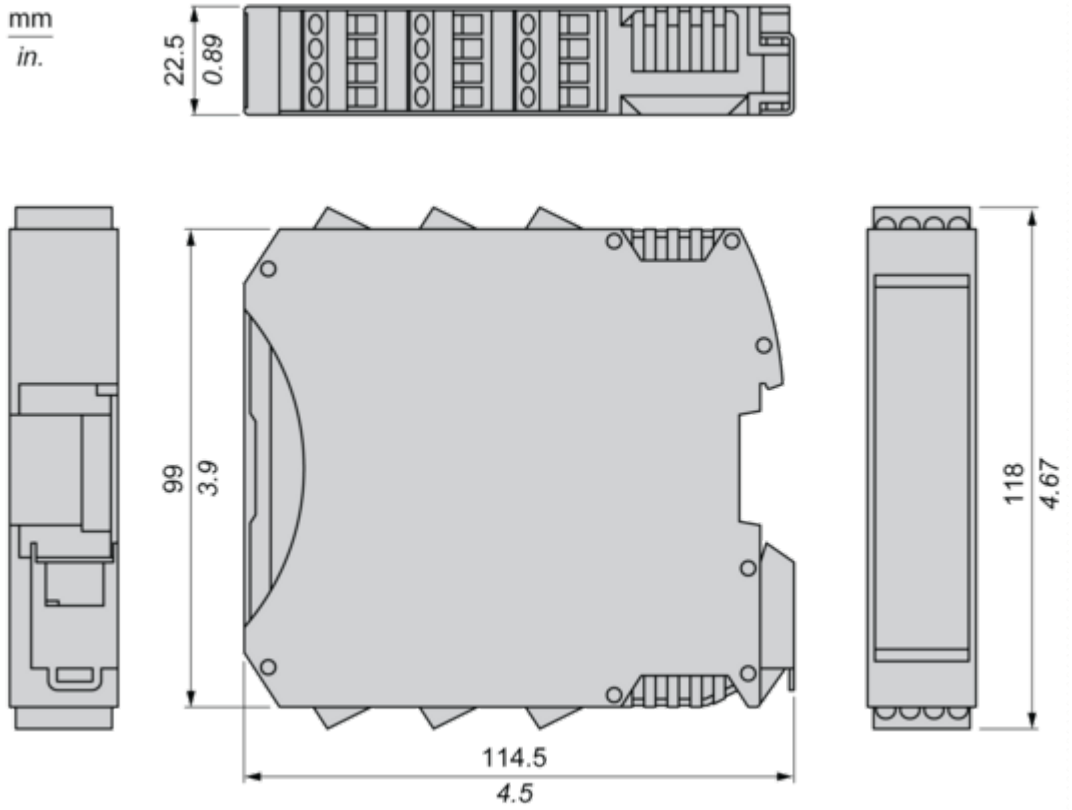
California Proposition 65

WARNING: This product can expose you to chemicals including: Lead and lead compounds, which is known to the State of California to cause cancer and birth defects or other reproductive harm. For more information go to www.P65Warnings.ca.gov

Dimensions Drawings

Dimensions

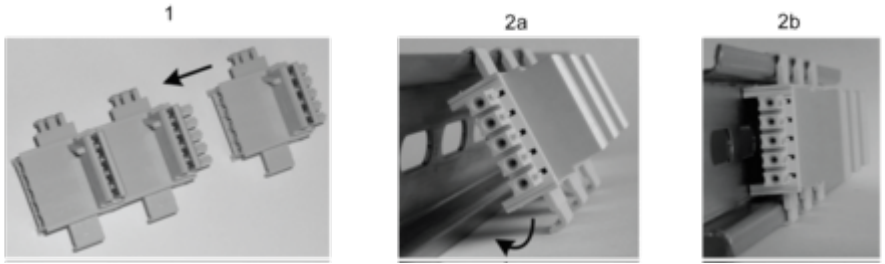
Spring Terminal



Mounting and Clearance

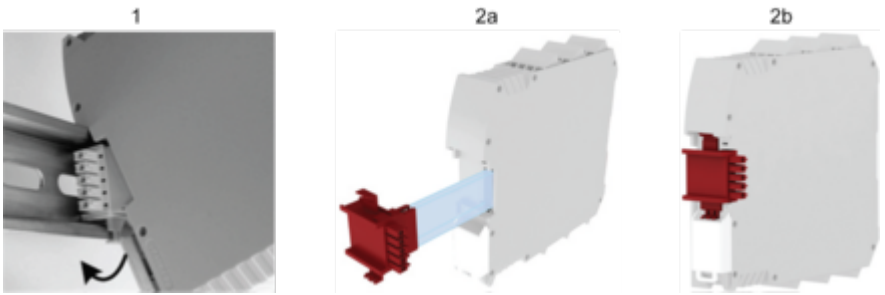
Mounting Safety Controller CPU with Module(s)

Mount BackPlane Connector on Rail



- 1 : Connect as much Backplane Connector as module to be install.
- 2 : Fix the connectors to the rail (Top first).

Mount Safety Controller CPU with Other Module(s)

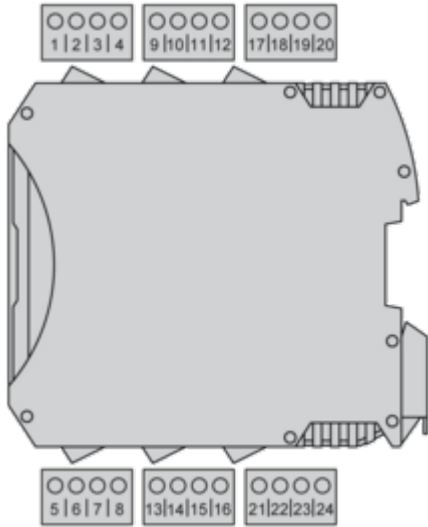


- 1 : Mount controller CPU and modules on rail.
- 2 : Make sure that the controller CPU or the module(s) are plugged on the BackPlane connector.

Connections and Schema

Wiring

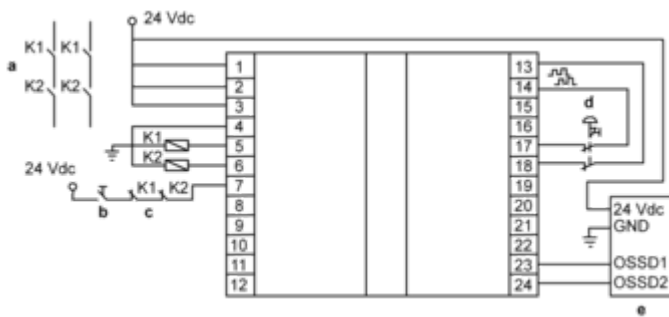
Terminal Designation



Terminal	Signal	Description
1	24 VDC	24 Vdc power supply
2	MASTER_ENABLE1	Master enable 1
3	MASTER_ENABLE2	Master enable 2
4	0 VDC	0 Vdc power supply
5	OSSD1_A	Static output 1
6	OSSD1_B	
7	RESTART1	Feedback/Restart 1
8	OUT_STATUS 1	Programmable digital output
9	OSSD2_A	Static output 2
10	OSSD2_B	
11	RESTART2	Feedback/Restart 2
12	OUT_STATUS 2	Programmable digital output
13	OUT_TEST1	Short circuit detected output
14	OUT_TEST2	
15	OUT_TEST3	
16	OUT_TEST4	

Terminal	Signal	Description
17	INPUT1	Digital input 1
18	INPUT2	Digital input 2
19	INPUT3	Digital input 3
20	INPUT4	Digital input 4
21	INPUT5	Digital input 5
22	INPUT6	Digital input 6
23	INPUT7	Digital input 7
24	INPUT8	Digital input 8

Wiring Example



- a : Contactors
- b : Restart
- c : Feedback
- d : Emergency stop
- e : Light curtain